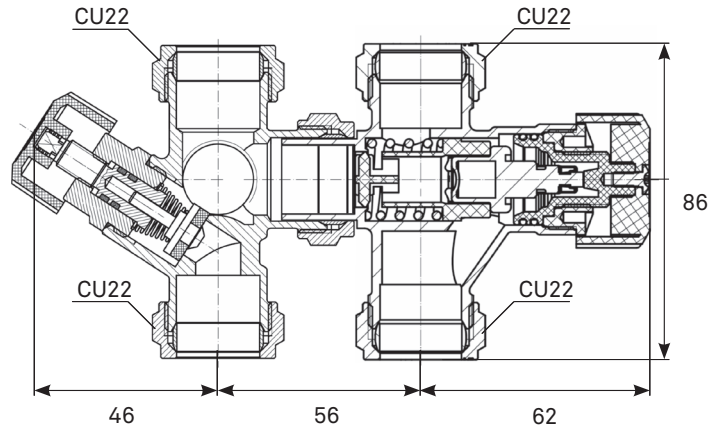


# Termoventiler VC

## Shut-off check valve combination



The Termoventiler VC is a combination of shut-off check valve and mixing valve for mixing tap warm water.

### Description

Shut-off check valve combination with four connections.

### Field of application / function

Fills up heater with cold water. Mixes cold and hot water to get a suitable temperature of hot tap water. Control range 35–65°C.

### Construction

Mixing valve in with shut-off check valve with connections. Four CU22 compression fittings. Possibility to connect a safety valve and/or vacuum valve. Integrated check valve and possibility to connect a safety valve and/or vacuum valve.

### Pressure and temperature

Maximum working pressure: 10 bar  
Maximum working temperature: +90°C  
Minimum working temperature: +2°C

### Markings

Mixing valve: CR, warm water inlet arrow, cold water inlet arrow and mixed water outlet. Temperature control indication and manufacturer on hand wheel. Shut-off check valve with connections: CR, flow direction arrow. Flow control and manufacturer on hand wheel.

### Care and maintenance

The shut-off check valve combination is normally maintenance free, but should be checked periodically.

### Installation

Tighten nuts with a fixed spanner or wrench according to installation instructions.

Compression fitting for soft and hard copper pipes, thin-walled steel pipes, chromed copper pipes and PEX pipes. Support sleeves must be used for all pipe types except hard copper pipes.

In case of installation other than image above, compression fitting is used on the tube end of the mixing valve.

## Material specification

### Mixing valve

Body	Dezincification resistant brass
Spring	Stainless steel
O-ring	EPDM
Nut	Dezincification resistant brass
Compression ring	Brass
Bulb	Copper
Support	Plastic
Hand wheel	Plastic

### Shut-off check valve with connections

Body	Dezincification resistant brass
Seat ring	EPDM
Spring	Stainless steel
Stem	Nickle-plated brass
Seal	EPDM
Nut	Dezincification resistant brass
Compression ring	Brass
Hand wheel	Plastic

*Subject to technical changes and corrections without notice.*