

LADDOMAT® Pump unit 125

Distribution group for optimised direct supply of heating or cooling.



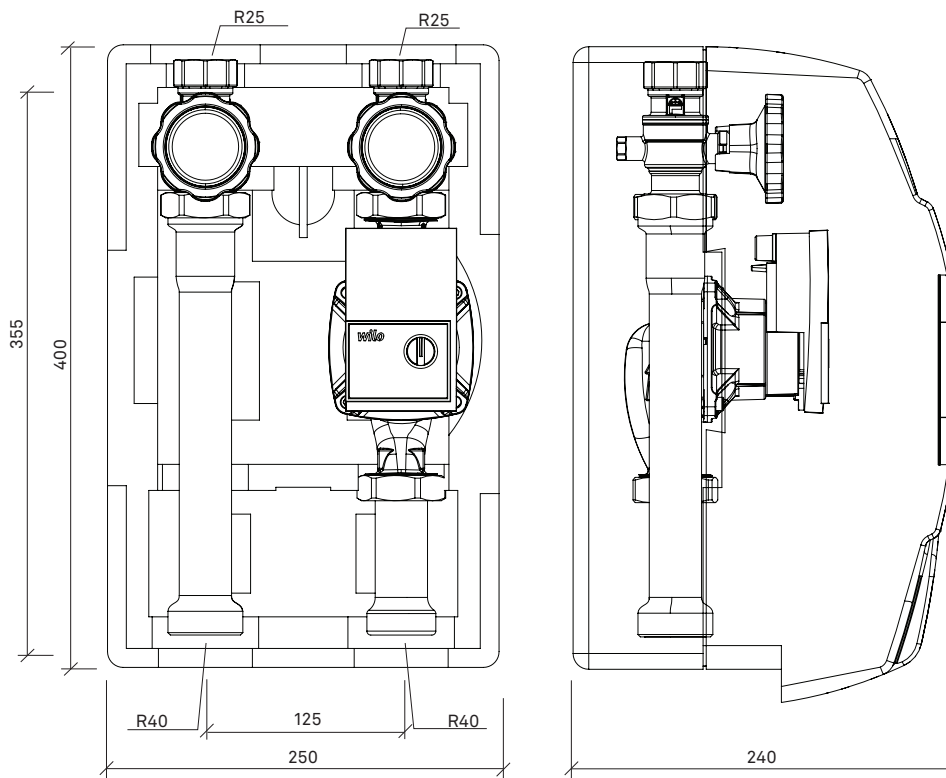
Laddomat Pump unit 125 is a device for direct supply of heating or cooling.

- The insulation's ventilation function protects the device from condensation during cooling applications.
- The highly efficient energy-saving pump, together with dense insulation, provides an energy-efficient unit.
- Simple installation thanks to its standard installation dimensions.
- Wall bracket included as standard.
- When installing more than one distribution unit the manifold makes a neat and easy installation.

Technical data

Pump:	6 m, 180 mm
Connections:	R40 - R25

Dimensions and connections



Accessories
See separate brochure.